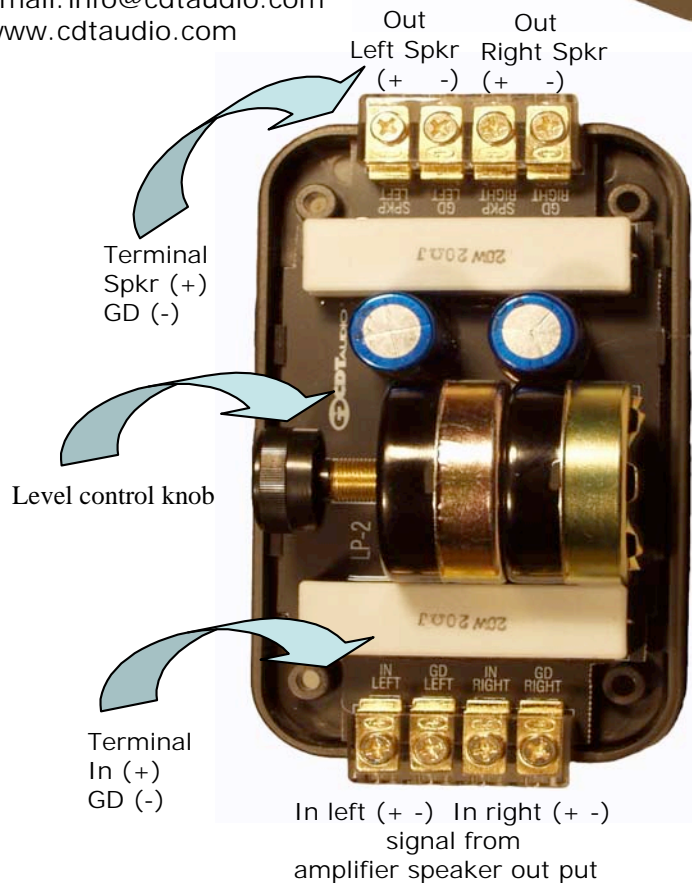
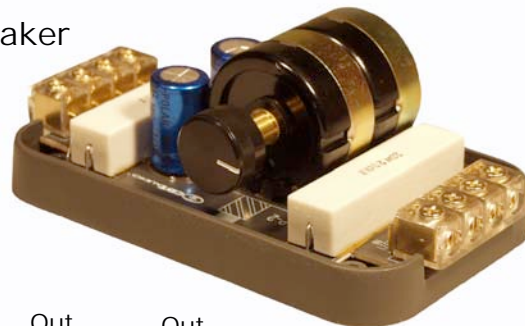


LP-2 Level Control Unit

Accent Front (Fill) Speaker
& Rear (Fill) Speaker
Level Control Unit.

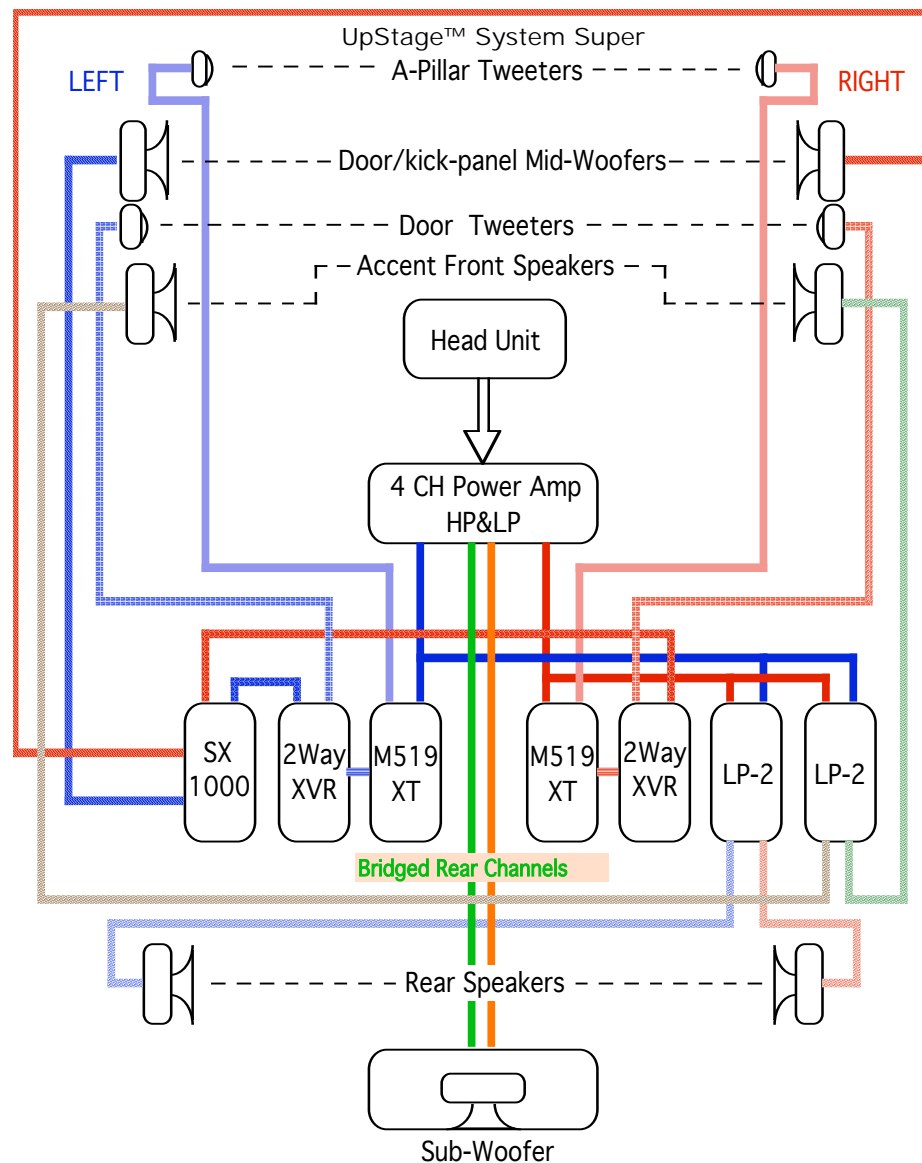
Tech support:
Call: 1877-568-3238
Fax: 1805-693-1898
Email: info@cdtaudio.com
www.cdtaudio.com



StageFront Technology

LP-2 wiring.

From your amplifier speaker out put terminal:
Wire your accent Front (fill)speakers and Rear (fill) speakers in parallel with your Main front door or kick panel speakers. The LP-2 control knob will give you level control for perfect out put balance to your rear and accent front fill speakers.



Made By CDT Audiophile Fanatics in Europe and in California USA